

INTECHNO – WORLD REPORT

SENSOR MARKETS 2008

Worldwide Analyses and Forecasts of
Sensor Markets until 2008

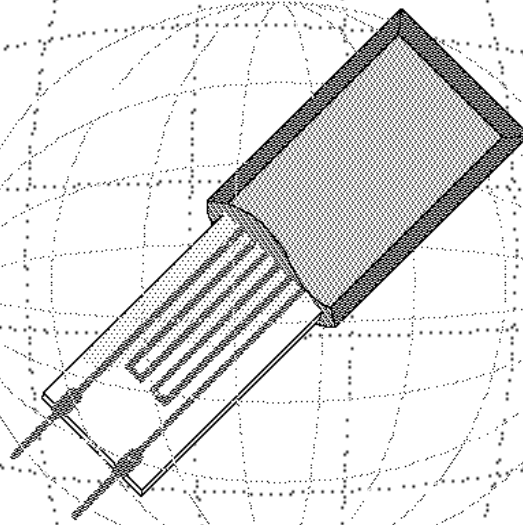


Table of Contents

www.intechnoconsulting.com
nschroeder@intechnoconsulting.com

INTECHNO CONSULTING
Steinenbachgaesslein 49

CH – 4051 Basle
Switzerland

Basle, May 1999

Tel.: +41-61- 281 18 30
Fax.: +41-61- 281 18 22

ORDER FORM

INTECHNO CONSULTING
Steinenbachgässlein 49
CH-4051 Basel
Switzerland

Tel.: ++41/61/281 18 30

Fax: ++41/61/281 18 22

SENSOR MARKETS 2008

– World Report: Analysis & Forecast until 2008–

We hereby order the report "Sensor Markets 2008"

Net Prices until
July 31st, 1999

English version Hardcopy (available now)

- | | | |
|--------------------------|---|--------------|
| <input type="checkbox"/> | - without internal copyright inside our company | USD 6'200.-- |
| <input type="checkbox"/> | - including internal copyright inside our company | USD 9'300.-- |
- if ordered by July 31st, 1999.

English version CD-ROM (available 15.6.1999)

- | | | |
|--------------------------|---------------------------------------|---------------|
| <input type="checkbox"/> | - for single use inside our company | USD 7'750.-- |
| <input type="checkbox"/> | - for multiple use inside our company | USD 11'625.-- |
- if ordered by July 31st, 1999.

Please note, that on from August 1st, 1999 the regular prices will apply, which are 10% higher, than the above mentioned net prices.

The results of this study are exclusively for internal customer use. It is not allowed to convey them to third parties.

All types of taxes (import excise tax, ...) have to be payed by the customer to the relevant fiscal agancies, if payable.

.....
Company

Phone

.....
Name/Department

Fax

.....
Street

Date

.....
Country/Zip code/City

Signed

TABLE OF CONTENTS: VOLUME I

0	INTRODUCTION	0.1
1.	SUCCESS FACTORS AND STRATEGIES FOR MANUFACTURERS OF SENSORS	1.1
1.1	Strengths and Weaknesses of Sensor Manufacturers in an International Comparison.....	1.3
1.2	Success Factors: Customer Satisfaction and Customer Problems.....	1.5
1.3	Success Factor: Development	1.7
1.4	Success Factor: Production.....	1.8
1.5	Success Factor: Innovation Marketing	1.8
1.6	Management of Ideas, Information and Communication.....	1.9
1.7	Benefit Orientation and Industry Competence as Success Factors.....	1.10
1.8	Chances for Big Enterprises and Medium-Size Companies.....	1.11
2.	DEVELOPMENTS IN SENSOR TECHNOLOGY IN AN OVERVIEW: ANALYSIS AND FORECAST	2.1
2.1	Basics, Structure and Characteristics of Sensors.....	2.3
2.1.1	Basics.....	2.3
2.1.2	Structure.....	2.5
2.1.3	Characteristic quantities of sensors	2.5
2.2	Technological Tendencies of Selected Sensor Types	2.8
2.2.1	Binary Position Sensors.....	2.8
2.2.2	Position sensors	2.10
2.2.3	Speed/RPM sensors	2.11
2.2.4	Acceleration / Vibration sensors.....	2.13
2.2.5	Force and Torque sensors.....	2.14
2.2.6	Pressure Sensors	2.16
2.2.7	Filling Sensors (Level sensors).....	2.17
2.2.8	Flow Sensors.....	2.18

2.2.9	Temperature sensors.....	2.20
2.2.10	Sensors for Measuring Optical Quantities and Images	2.20
2.2.11	Humidity Sensors	2.21
2.2.12	Chemical sensors	2.22
2.2.13	Biosensors.....	2.23
2.3	Future Trends and Innovation Guidelines in Sensor Development - Overview	2.25
2.3.1	General future trends.....	2.25
2.3.2	Innovation guidelines	2.29
3.	OVERVIEW OF PRICES AND PRICE DEVELOPMENT FOR SENSORS	3.1
4.	OVERVIEW OF THE WORLD MARKET FOR SENSORS, SUBDIVIDED BY QUANTITIES TO BE MEASURED: ANALYSIS AND FORECAST UNTIL 2008.....	4.1
4.1	Worldwide Development of Market Size for Sensors until 2008: Subdivision by Quantities to be Measured.....	4.3
4.2	Worldwide Development of Growth Rates for Sensors until 2008: Subdivision by Quantities to be Measured.....	4.9
5.	OVERVIEW OF THE WORLD MARKET FOR SENSORS SUBDIVIDED BY SENSOR TYPES: ANALYSIS AND FORECAST UNTIL 2008	5.1
5.1	Worldwide Development of Market Size for Sensors until 2008: Subdivision by Sensor Types.....	5.3
5.2	Worldwide Development of Growth Rates for Sensors until 2008: Subdivision by Sensor Types.....	5.7
6.	OVERVIEW OF THE WORLD MARKET FOR SENSORS SUBDIVIDED BY GENERAL APPLICATION SECTORS: ANALYSIS AND FORECAST UNTIL 2008	6.1
6.1	Worldwide Development of Market Size for Sensors until 2008: Subdivision by General Application Sectors	6.3
6.2	Worldwide Development of Growth Rates for Sensors until 2008: Subdivision by General Application Sectors	6.10

7.	OVERVIEW OF THE WORLD MARKET FOR SENSORS SUBDIVIDED BY COUNTRIES: ANALYSIS AND FORECAST UNTIL 2008	7.1
7.1	Worldwide Development of Market Size for Sensors until 2008: Subdivision by Countries.....	7.3
7.2	Worldwide Development of Growth Rates for Sensors until 2008: Subdivision by Countries.....	7.13
8.	THE WORLD MARKET FOR SENSORS SUBDIVIDED INTO THE INDIVIDUAL SENSOR TYPES: ANALYSIS AND FORECAST UNTIL 2008	8.1
8.1	Binary Sensors	8.3
8.1.1	Binary Position Sensors.....	8.3
8.1.1.1	The World Market for Binary Position Sensors in 1998 Subdivided by Measurement Principles.....	8.3
8.1.1.2	Development of the World Market for Binary Position Sensors until 2008 According to Application Sectors.....	8.5
8.1.1.3	Development of the World and Triad Market for Binary Position Sensors until 2008: Countries in an Overview	8.9
8.1.1.4	Development of the Market for Binary Position Sensors until 2008: Countries in Detail.....	8.11
	- Germany.....	8.11
	- France.....	8.13
	- United Kingdom.....	8.13
	- Italy.....	8.16
	- Other Western European Countries	8.16
	- USA	8.19
	- Japan	8.21
8.1.2	Flue Gas and Fire Detectors	8.23
8.1.3	Motion Detectors.....	8.29
8.1.4	Glass Breakage Detectors.....	8.34
8.1.5	Other Binary Sensors	8.38
8.2	Sensors for Measuring Mechanical Quantities in Solids.....	8.39
8.2.1	Position Sensors	8.39
8.2.1.1	The World Market for Position Sensors in 1998 Subdivided by Measurement Principles.....	8.39
8.2.1.2	Development of the World Market for Position Sensors until 2008 According to Application Sectors	8.41
8.2.1.3	Development of the World and Triad Market for Position Sensors until 2008 by Countries	8.44
8.2.1.4	Development of the Market for Position Sensors until 2008: Countries in Detail	8.46
	- Germany.....	8.46
	- France.....	8.48

	- United Kingdom	8.48
	- Italy.....	8.51
	- Other Western European Countries.....	8.51
	- USA	8.54
	- Japan	8.54
8.2.2	Navigation Sensors	8.57
8.2.2.1	The World Market for Navigation Sensors in 1998 Subdivided by Measurement Principles	8.57
8.2.2.2	Development of the World Market for Navigation Sensors until 2008 According to Application Sectors	8.59
8.2.2.3	Development of the World and Triad Market for Navigation Sensors until 2008 by Countries	8.62
8.2.2.4	Development of the Market for Navigation Sensors until 2008: Countries in Detail.....	8.62
	- Germany	8.62
	- France.....	8.65
	- United Kingdom	8.65
	- Italy.....	8.65
	- Other Western European Countries.....	8.69
	- USA	8.69
	- Japan	8.69
8.2.3	Speed and RPM Sensors	8.73
8.2.3.1	The World Market for Speed and RPM Sensors in 1998 Subdivided by Measurement Principles	8.73
8.2.3.2	Development of the World Market for Speed and RPM Sensors until 2008 According to Application Sectors	8.75
8.2.3.3	Development of the World and Triad Market for Speed and RPM Sensors until 2008 by Countries.....	8.78
8.2.3.4	Development of the Market for Speed and RPM Sensors until 2008: Countries in Detail.....	8.78
	- Germany	8.78
	- France.....	8.81
	- United Kingdom	8.81
	- Italy.....	8.81
	- Other Western European Countries.....	8.85
	- USA	8.85
	- Japan	8.88
8.2.4	Acceleration Sensors	8.90
8.2.4.1	The World Market for Acceleration Sensors in 1998 Subdivided by Measurement Principles	8.90
8.2.4.2	Development of the World Market for Acceleration Sensors until 2008 According to Application Sectors	8.92
8.2.4.3	Development of the World and Triad Market for Acceleration Sensors until 2008 by Countries	8.95
8.2.4.4	Development of the Market for Acceleration Sensors until 2008: Countries in Detail.....	8.95
	- Germany	8.95
	- France.....	8.98
	- United Kingdom	8.98
	- Italy.....	8.101
	- Other Western European Countries.....	8.101
	- USA	8.104
	- Japan	8.104
8.2.5	Distance Sensors	8.107

8.2.5.1	The World Market for Distance Sensors in 1998 Subdivided by Measurement Principles.....	8.107
8.2.5.2	Development of the World Market for Distance Sensors until 2008 According to Application Sectors	8.109
8.2.5.3	Development of the World and Triad Market for Distance Sensors until 2008 by Countries	8.109
8.2.5.4	Development of the Market for Distance Sensors until 2008: Countries in Detail.....	8.113
	- Germany.....	8.113
	- France.....	8.113
	- United Kingdom.....	8.116
	- Italy.....	8.116
	- Other Western European Countries	8.119
	- USA	8.119
	- Japan	8.122
8.2.6	Calipers.....	8.124
8.2.7	Roughness Sensors.....	8.128
8.2.8	Tilt Sensors.....	8.132
8.2.9	Thickness Sensors.....	8.136
8.2.10	Force Sensors	8.140
8.2.10.1	The World Market for Force Sensors in 1998 Subdivided by Measurement Principles.....	8.140
8.2.10.2	Development of the World Market for Force Sensors until 2008 According to Application Sectors	8.142
8.2.10.3	Development of the World and Triad Market for Force Sensors until 2008 by Countries	8.145
8.2.10.4	Development of the Market for Force Sensors until 2008: Countries in Detail.....	8.145
	- Germany.....	8.145
	- France.....	8.148
	- United Kingdom.....	8.148
	- Italy.....	8.151
	- Other Western European Countries	8.151
	- USA	8.154
	- Japan	8.154
8.2.11	Torque Sensors.....	8.157
8.2.11.1	The World Market for Torque Sensors in 1998 Subdivided by Measurement Principles.....	8.157
8.2.11.2	Development of the World Market for Torque Sensors until 2008 According to Application Sectors	8.159
8.2.11.3	Development of the World and Triad Market for Torque Sensors until 2008 by Countries	8.159
8.2.11.4	Development of the Market for Torque Sensors until 2008: Countries in Detail.....	8.159
	- Germany.....	8.163
	- France.....	8.163
	- United Kingdom.....	8.166
	- Italy.....	8.166
	- Other Western European Countries	8.169
	- USA	8.169
	- Japan	8.172

8.3	Sensors for Measuring Mechanical Quantities in Bulk Solids, Liquids and Gases.....	8.175
8.3.1	Pressure Sensors (without Differential Pressure Sensors)	8.175
8.3.1.1	The World Market for Pressure Sensors in 1998 Subdivided by Measurement Principles	8.175
8.3.1.2	Development of the World Market for Pressure Sensors until 2008 According to Application Sectors	8.175
8.3.1.3	Development of the World and Triad Market for Pressure Sensors until 2008 by Countries	8.179
8.3.1.4	Development of the Market for Pressure Sensors until 2008: Countries in Detail	8.179
	- Germany	8.179
	- France.....	8.182
	- United Kingdom	8.182
	- Italy.....	8.182
	- Other Western European Countries.....	8.186
	- USA	8.186
	- Japan	8.189
8.3.2	Differential Pressure Sensors	8.191
8.3.2.1	The World Market for Differential Pressure Sensors in 1998 Subdivided by Measurement Principles	8.191
8.3.2.2	Development of the World Market for Differential Pressure Sensors until 2008 According to Application Sectors.....	8.191
8.3.2.3	Development of the World and Triad Market for Differential Pressure Sensors until 2008 by Countries.....	8.195
8.3.2.4	Development of the Market for Differential Pressure Sensors until 2008: Countries in Detail.....	8.195
	- Germany	8.195
	- France.....	8.198
	- United Kingdom	8.198
	- Italy.....	8.198
	- Other Western European Countries.....	8.202
	- USA	8.202
	- Japan	8.202
8.3.3	Level Sensors.....	8.206
8.3.3.1	The World Market for Level Sensors in 1998 Subdivided by Measurement Principles	8.206
8.3.3.2	Development of the World Market for Level Sensors until 2008 According to Application Sectors	8.208
8.3.3.3	Development of the World and Triad Market for Level Sensors until 2008 by Countries.....	8.211
8.3.3.4	Development of the Market for Level Sensors until 2008: Countries in Detail.....	8.211
	- Germany	8.211
	- France.....	8.214
	- United Kingdom	8.214
	- Italy.....	8.217
	- Other Western European Countries.....	8.217
	- USA	8.220
	- Japan	8.220
8.3.4	Flow Sensors	8.223
8.3.4.1	The World Market for Flow Sensors in 1998 Subdivided by Measurement Principles	8.223

8.3.4.2	Development of the World Market for Flow Sensors until 2008 According to Application Sectors	8.225
8.3.4.3	Development of the World and Triad Market for Flow Sensors until 2008 by Countries	8.225
8.3.4.4	Development of the Market for Flow Sensors until 2008: Countries in Detail.....	8.229
	- Germany.....	8.229
	- France	8.229
	- United Kingdom.....	8.232
	- Italy	8.232
	- Other Western European Countries	8.235
	- USA	8.235
	- Japan	8.238
8.4	Sensors for Measuring Thermal Quantities in Solids, Liquids and Gases	8.241
8.4.1	Temperature Sensors.....	8.241
8.4.1.1	The World Market for Temperature Sensors in 1998 Subdivided by Measurement Principles.....	8.241
8.4.1.2	Development of the World Market for Temperature Sensors until 2008 According to Application Sectors	8.243
8.4.1.3	Development of the World and Triad Market for Temperature Sensors until 2008 by Countries	8.246
8.4.1.4	Development of the Market for Temperature Sensors until 2008: Countries in Detail.....	8.248
	- Germany.....	8.248
	- France	8.248
	- United Kingdom.....	8.251
	- Italy	8.251
	- Other Western European Countries	8.254
	- USA	8.254
	- Japan	8.257
8.4.2	Infrared Image Sensors.....	259
8.5	Sensors for Measuring Optical Quantities in Solids, Liquids and Gases	8.265
8.5.1	Photodetectors.....	8.265
8.5.1.1	The World Market for Photodetectors in 1998 Subdivided by Measurement Principles.....	8.265
8.5.1.2	Development of the World Market for Photodetectors until 2008 According to Application Sectors	8.267
8.5.1.3	Development of the World and Triad Market for Photodetectors until 2008 by Countries	8.270
8.5.1.4	Development of the Market for Photodetectors until 2008: Countries in Detail.....	8.270
	- Germany.....	8.270
	- France.....	8.273
	- United Kingdom.....	8.273
	- Italy	8.273
	- Other Western European Countries	8.277
	- USA	8.277
	- Japan	8.280
8.5.2	Optical Image Sensors.....	8.282

8.5.2.1	The World Market for Optical Image Sensors in 1998 Subdivided by Measurement Principles	8.282
8.5.2.2	Development of the World Market for Optical Image Sensors until 2008 According to Application Sectors	8.284
8.5.2.3	Development of the World and Triad Market for Optical Image Sensors until 2008 by Countries	8.284
8.5.2.4	Development of the Market for Optical Image Sensors until 2008: Countries in Detail.....	8.288
	- Germany	8.288
	- France.....	8.288
	- United Kingdom	8.288
	- Italy.....	8.292
	- Other Western European Countries.....	8.292
	- USA	8.295
	- Japan	8.295
8.6	Sensors for Measuring Acoustic Quantities in Solids, Liquids and Gases	8.299
8.6.1	Acoustic Sensors (Without Acoustic Image Sensors).....	8.299
8.6.1.1	The World Market for Acoustic Sensors in 1998 Subdivided by Measurement Principles	8.299
8.6.1.2	Development of the World Market for Acoustic Sensors until 2008 According to Application Sectors	8.301
8.6.1.3	Development of the World and Triad Market for Acoustic Sensors until 2008 by Countries	8.301
8.6.1.4	Development of the Market for Acoustic Sensors until 2008: Countries in Detail	8.305
	- Germany	8.305
	- France.....	8.305
	- United Kingdom	8.308
	- Italy.....	8.308
	- Other Western European Countries.....	8.311
	- USA	8.311
	- Japan	8.311
8.6.2	Ultrasonic Image Sensors	8.315
8.7	Sensors for Measuring Electric and Magnetic Quantities in Solids.....	8.319
8.7.1	Sensors for Measuring Electric Quantities: Electric Current Sensors.....	8.319
8.7.2	Sensors for Measuring Magnetic Quantities.....	8.325
8.8	Sensors for Measuring the Quality of Materials and Liquids	8.331
8.8.1	Sensors for Measuring Material Quality.....	8.331
8.8.2	Sensors for Measuring Liquid Quality.....	8.334
8.9	Sensors for Measuring Humidity, Chemical and Biological Quantities in Solids, Liquids and Gases.....	8.337
8.9.1	Humidity Sensors	8.337
8.9.1.1	The World Market for Humidity Sensors in 1998 Subdivided by Measurement Principles	8.337

8.9.1.2	Development of the World Market for Humidity Sensors until 2008 According to Application Sectors	8.339
8.9.1.3	Development of the World and Triad Market for Humidity Sensors until 2008 by Countries	8.339
8.9.1.4	Development of the Market for Humidity Sensors until 2008: Countries in Detail	8.343
	- Germany.....	8.343
	- France.....	8.343
	- United Kingdom.....	8.343
	- Italy.....	8.347
	- Other Western European Countries	8.347
	- USA	8.347
	- Japan	8.351
8.9.2	Rain Sensors.....	8.353
8.9.3	Chemical Sensors for Measurements in Liquids	8.356
8.9.3.1	The World Market for Chemical Sensors for Measurements in Liquids in 1998 Subdivided by Measurement Principles.....	8.356
8.9.3.2	Development of the World Market for Chemical Sensors for Measurements in Liquids until 2008 According to Application Sectors	8.358
8.9.3.3	Development of the World and Triad Market for Chemical Sensors for Measurements in Liquids until 2008 by Countries.....	8.358
8.9.3.4	Development of the Market for Chemical Sensors for Measurements in Liquids until 2008: Countries in Detail.....	8.362
	- Germany.....	8.362
	- France.....	8.362
	- United Kingdom.....	8.365
	- Italy.....	8.365
	- Other Western European Countries	8.368
	- USA	8.368
	- Japan	8.371
8.9.4	Chemical Sensors for Measurements in Gases	8.373
8.9.4.1	The World Market for Chemical Sensors for Measurements in Gases in 1998 Subdivided by Measurement Principles	8.373
8.9.4.2	Development of the World Market for Chemical Sensors for Measurements in Gases until 2008 According to Application Sectors	8.375
8.9.4.3	Development of the World and Triad Market for Chemical Sensors for Measurements in Gases until 2008 by Countries.....	8.375
8.9.4.4	Development of the Market for Chemical Sensors for Measurements in Gases until 2008: Countries in Detail.....	8.379
	- Germany.....	8.379
	- France.....	8.379
	- United Kingdom.....	8.382
	- Italy.....	8.382
	- Other Western European Countries	8.385
	- USA	8.385
	- Japan	8.388
8.9.5	Biosensors.....	8.390

9. THE WORLDMARKET FOR SENSORS ON SEMI- CONDUCTOR BASIS AND FOR FIBEROPTIC SENSORS IN AN OVERVIEW : ANALYSIS AND FORECAST UNTIL 2008 9.1

9.1	Sensors on Semiconductor Basis	9.3
9.2	Fiberoptic Sensors	9.12

TABLE OF CONTENTS: VOLUME II

10.	THE WORLD MARKET FOR SENSORS SUBDIVIDED BY INDIVIDUAL APPLICATION AREAS: ANALYSIS AND FORECAST	10.1
10.1	Machine Tool Sector.....	10.3
10.1.1	Machine Tool Production in a General Comparison of Countries	10.3
10.1.2	Use and Possibilities of Use for Sensors in the Machine Tool Sector: Overview.....	10.7
10.1.3	Development of Sensor Market in the Machine Tool Sector until 2008: World Market and Triad Market.....	10.9
10.1.4	Development of Sensor Market in the Machine Tool Sector until 2008: Comparison of Countries.....	10.17
	- Germany	10.22
	- France	10.24
	- United Kingdom.....	10.26
	- Italy.....	10.28
	- Other Western European Countries.....	10.30
	- USA	10.32
	- Japan.....	10.34
10.2	‘Other Machinery Sector’	10.35
10.2.1	The ‘Other Machinery Sector’ in a General Comparison of Countries	10.35
10.2.2	Use and Possibilities of Use in the ‘Other Machinery Sector’: Overview.....	10.45
10.2.3	Development of Sensor Market in the ‘Other Machinery Sector’ until 2008: World Market and Triad Market.....	10.50
10.2.4	Development of Sensor Market in the ‘Other Machinery Sector’ until 2008: Comparison of Countries	10.61
	- Germany	10.65
	- France	10.68
	- United Kingdom.....	10.71
	- Italy.....	10.74
	- Other Western European Countries.....	10.77
	- USA	10.80

	- Japan.....	10.83
10.3	Robots, Handling Equipment and Automatic Assembly Machines	10.87
10.3.1	The Robots, Handling Equipment and Automatic Assembly Machines Sector in an International Comparison of Countries	10.87
10.3.2	Use and Possibilities of Use for Sensors in Robots, Handling Equipment and Automatic Assembly Machines: an Overview.....	10.93
10.3.3	Development of Sensor Market for Robots, Handling Equipment and Automatic Assembly Machines until 2008: World and Triad Markets	10.94
10.3.4	Development of Sensor Market for Robots, Handling Equipment and Automatic Assembly Machines until 2008: Comparison of Countries.....	10.103
	- Germany.....	10.107
	- France.....	10.109
	- United Kingdom.....	10.111
	- Italy	10.113
	- Other Western European Countries	10.115
	- USA.....	10.117
	- Japan.....	10.119
10.4	Materials Handling.....	10.121
10.4.1	Materials Handling in an International Comparison of Countries	10.121
10.4.2	Use and Possibilities of Use for Sensors in Materials Handling: an Overview	10.124
10.4.3	Development of Sensor Market for Materials Handling until 2008: World and Triad Markets.....	10.127
10.4.4	Development of Sensor Market for Materials Handling until 2008: Comparison of Countries	10.134
	- Germany.....	10.139
	- France.....	10.142
	- United Kingdom.....	10.145
	- Italy	10.148
	- Other Western European Countries	10.151
	- USA.....	10.154
	- Japan.....	10.157
10.5	Professional Devices Sector	10.161

10.5.1	Professional Devices in an International Comparison of Countries	10.161
10.5.2	Use and Possibilities of Use for Sensors in Professional Devices: an Overview	10.163
10.5.3	Development of Sensor Market for Professional Devices until 2008: World and Triad Markets	10.164
10.5.4	Development of Sensor Market for Professional Devices until 2008: Comparison of Countries.....	10.172
	- Germany	10.177
	- France	10.181
	- United Kingdom	10.184
	- Italy.....	10.187
	- Other Western European Countries.....	10.190
	- USA	10.193
	- Japan.....	10.196
10.6	Process Industries.....	10.197
10.6.1	Process Industries in a General Comparison of Countries.....	10.197
10.6.2	Use and Possibilities of Use for Sensors in the Process Industries: Overview	10.201
10.6.3	Development of Sensor Market in the Process Industries until 2008: World Market and Triad Market.....	10.204
10.6.4	Development of Sensor Market in the Process Industries until 2008: Comparison of Countries.....	10.216
	- Germany	10.220
	- France	10.223
	- United Kingdom	10.226
	- Italy.....	10.229
	- Other Western European Countries.....	10.232
	- USA	10.235
	- Japan.....	10.238
10.7	Motor Vehicles.....	10.241
10.7.1	Motor Vehicle Production in a Comparison of Countries.....	10.241
10.7.2	Use and Possibilities of Use for Sensors in Motor Vehicles: Overview.....	10.245
10.7.3	Development of Sensor Market in Motor Vehicles until 2008: World Market and Triad Market	10.250
10.7.4	Development of Sensor Market in Motor Vehicles until 2008: Comparison of Countries.....	10.266

	- Germany.....	10.270
	- France.....	10.278
	- United Kingdom.....	10.286
	- Italy	10.294
	- Other Western European Countries	10.302
	- USA.....	10.310
	- Japan.....	10.318
10.8	Aircraft, Shipbuilding and Railborne Vehicles.....	10.327
10.8.1	Aircraft, Shipbuilding and Railborne Vehicles in a General Comparison of Countries.....	10.327
10.8.2	Use and Possibilities of Use for Sensors in Aircraft, Shipbuilding and Railborne Vehicles	10.331
10.8.3	Development of Sensor Market in Aircraft, Shipbuilding and Railborne Vehicles until 2008: World Market and Triad Market.....	10.336
10.8.4	Development of Sensor Market in Aircraft, Shipbuilding and Railborne Vehicles until 2008: Comparison of Countries.....	10.344
	- Germany.....	10.349
	- France.....	10.354
	- United Kingdom.....	10.358
	- Italy	10.362
	- Other Western European Countries	10.366
	- USA.....	10.369
	- Japan.....	10.374
10.9	Building and Safety Technology.....	10.369
10.9.1	Building and Safety Technology in a General Comparison of Countries	10.369
10.9.2	Use and Possibilities of Use for Sensors in Building and Safety Technology: Overview	10.372
10.9.3	Development of Sensor Market in Building and Safety Technology until 2008: World Market and Triad Market.....	10.377
10.9.4	Development of Sensor Market in Building and Safety Technology until 2008: Comparison of Countries.....	10.383
	- Germany.....	10.387
	- France.....	10.389
	- United Kingdom.....	10.391
	- Italy	10.393
	- Other Western European Countries	10.395
	- USA.....	10.397

	- Japan.....	10.399
10.10	Household Appliances and Consumer Electronics.....	10.401
10.10.1	Household Appliances and Consumer Electronics in a General Comparison of Countries	10.401
10.10.2	Use and Possibilities of Use for Sensors in Household Appliances and Consumer Electronics: Overview	10.406
10.10.3	Development of Sensor Market in Household Appliances and Consumer Electronics until 2008: World Market and Triad Market	10.407
10.10.4	Development of Sensor Market in Household Appliances and Consumer Electronics until 2008: Comparison of Countries.....	10.413
	- Germany.....	10.418
	- France.....	10.421
	- United Kingdom.....	10.423
	- Italy.....	10.425
	- Other Western European Countries.....	10.427
	- USA.....	10.429
	- Japan.....	10.431
10.11	Office Automation, Information & Communication Technology.....	10.433
10.11.1.	Office Automation, Information & Communication Technology in a General Comparison of Countries	10.433
10.11.2.	Use and Possibilities of Use for Sensors in Office Automation, Information & Communication Technology: Overview	10.438
10.11.3.	Development of Sensor Market in Office Automation, Information & Communication Technology until 2008: World Market and Triad Market	10.440
10.11.4.	Development of Sensor Market in Office Automation, Information & Communication Technology until 2008: Comparison of Countries.....	10.445
	- Germany.....	10.449
	- France.....	10.451
	- United Kingdom.....	10.453
	- Italy.....	10.455
	- Other Western European Countries.....	10.457
	- USA.....	10.459
	- Japan.....	10.461
10.12	Medical Sector.....	10.463

10.12.1	Medical Technology and Health Care Expenditures in a General Comparison of Countries.....	10.463
10.12.2	Use and Possibilities of Use for Sensors in the Medical Sector: Overview.....	10.467
10.12.3	Development of Sensor Market in the Medical Sector until 2008: World Market and Triad Market.....	10.468
10.12.4	Development of Sensor Market in the Medical Sector until 2008: Comparison of Countries	10.474
	- Germany.....	10.478
	- France.....	10.481
	- United Kingdom.....	10.483
	- Italy	10.485
	- Other Western European Countries	10.487
	- USA.....	10.489
	- Japan.....	10.491
10.13	Environmental Protection.....	10.491
10.13.1	Environmental Protection in a General Comparison of Countries.....	10.491
10.13.2	Use and Possibilities of Use for Sensors in Environmental Protection: Overview	10.496
10.13.3	Development of Sensor Market in Environmental Protection until 2008: World Market and Triad Market.....	10.501
10.13.4	Development of Sensor Market in Environmental Protection until 2008: Comparison of Countries	10.507
	- Germany.....	10.511
	- France.....	10.513
	- United Kingdom.....	10.515
	- Italy	10.517
	- Other Western European Countries	10.519
	- USA.....	10.521
	- Japan.....	10.523
10.14	Research and Development (R&D).....	10.525
10.14.1	Research and Development in a General Comparison of Countries.....	10.525
10.14.2	Use and Possibilities of Use for Sensors in Research and Development: Overview.....	10.527
10.14.3	Development of Sensor Market in Research and Development until 2008: World Market and Triad Market.....	10.528

10.14.4	Development of Sensor Market in Research and Development until 2008: Comparison of Countries.....	10.533
	- Germany.....	10.537
	- France.....	10.537
	- United Kingdom.....	10.540
	- Italy.....	10.540
	- Other Western European Countries.....	10.543
	- USA.....	10.543
	- Japan.....	10.546
10.15	Other Sectors.....	10.549
10.15.1	‘Other Sectors’ in a General Comparison of Countries.....	10.549
10.15.2	Use and Possibilities of Use for Sensors in ‘Other Sectors’: Overview.....	10.551
10.15.3	Development of Sensor Market in ‘Other Sectors’ until 2008: World Market and Triad Market.....	10.551
10.15.4	Development of Sensor Market in ‘Other Sectors’ until 2008: Comparison of Countries.....	10.556
	- Germany.....	10.560
	- France.....	10.560
	- United Kingdom.....	10.560
	- Italy.....	10.564
	- Other Western European Countries.....	10.564
	- USA.....	10.564
	- Japan.....	10.568